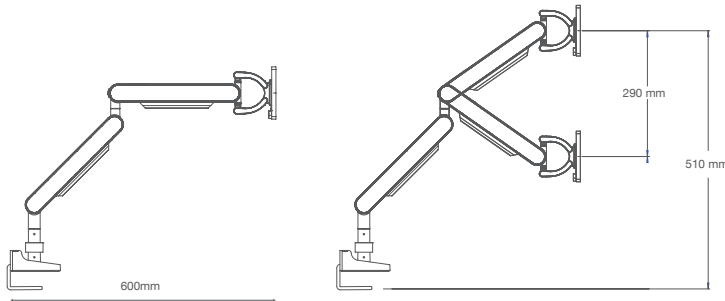


**zgo** | technologies

*Optimal Performance. Infinite Design.*

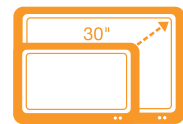


**zgo**



Collaboration at work

Monitor Size Supportable:	2 x 24" to 30" max	(Monitor Size for reference only; Weight Supportable should be key factor)
Monitor Weight Supportable:	3~11 kg (6.6~24.2lbs) per Monitor	
Extended Arm Reach (from Desk Edge):	600 mm	
Vertical Arm Adjustment Range:	290 mm	
VESA Compliance:	75 mm <sup>2</sup> and 100 mm <sup>2</sup>	
Arm Swivel Range (CW/CCW):	360° (With 180° lock-out feature to protect walls and screens)	
Monitor Pivot Range:	360°	
Monitor Tilt Range:	Forward 20° / Backward 35°	
Quick Release for VESA Attachment:	For ease of Monitor replacement	
Quick Release for Mounting Attachment:	For ease of transition to Laptop mounting	
Desk Fixing Options:	Top down desk clamp	
Standard Clamp Thickness Range:	16-33 mm / 33-50 mm	
Warranty Period:	Limited 10 Years	
Sustainability:	29% recycled and 99% recyclable content	
Cable Management:	Semi concealed within upper and lower arm	



Strong support capabilities



Mix and match combinations

Colour Panel :



**Package content:**

Top down clamp	x1
Zgo Arm	x2
Colour Panel	x2
Display Mount	x2
Screws, M4	x2
Quick Setup Guide (QSG)	x1